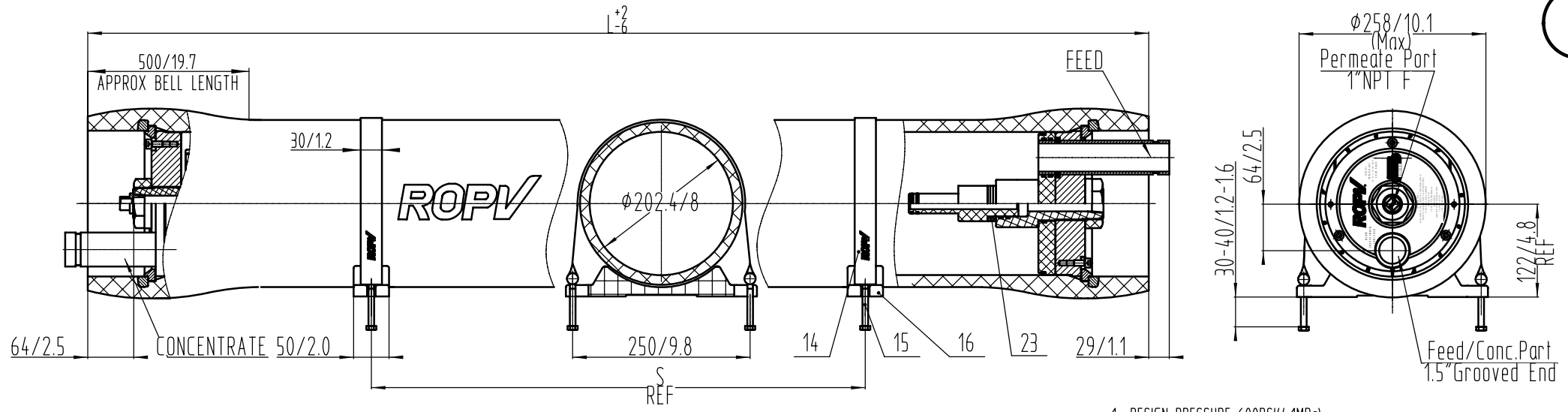
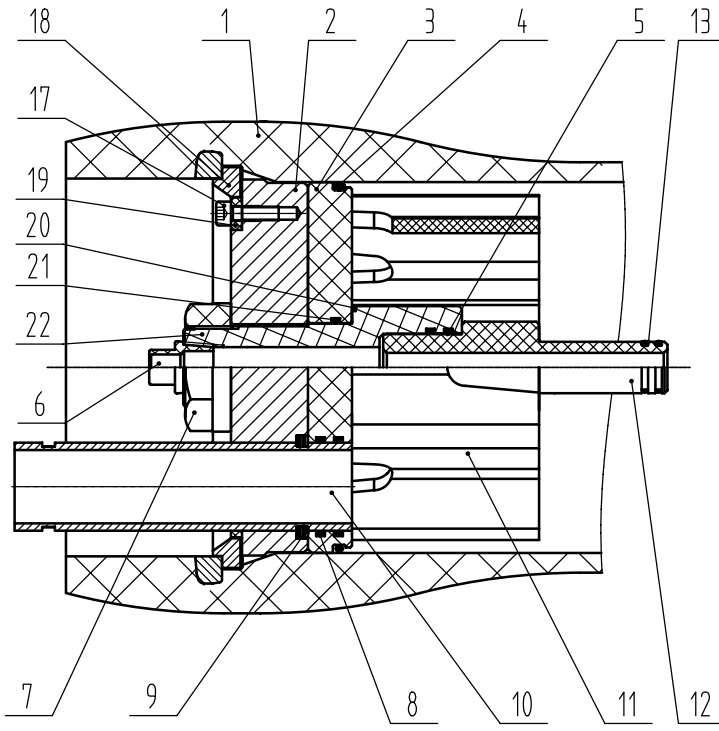


600
PSI



| REF | PART NUMBER | DESCRIPTION | QTY | MATERIAL | NOTE |
|-----|-----------------------|-----------------------|-------|--|------|
| 23 | A8023.1 | Shim | 0~3 | Engineering Thermoplastic | |
| 22 | A8022.3 | Permeate Part | 2 | Engineering Thermoplastic.316SS Ring | |
| 21 | 47.5x3.55G GB/T3452.1 | O-ring | 2 | EPDM | |
| 20 | 58x2.65G GB/T3452.1 | O-ring | 2 | EPDM | |
| 19 | A8020 | Securing Ring | 2 | Engineering Thermoplastic | |
| 18 | A8018.2 | Locking Kit Segment | 2 Set | 316SS | |
| 17 | GB/T70.1 M8x20 | Locking Segment Screw | 6 | 316SS | |
| 16 | A8016 | Saddle | 2~3 | Rubber | |
| 15 | GB/T 5780 M8x90 | Strap Screw | 4~6 | 316SS | |
| 14 | A8014.3 | Strap | 2~3 | 316SS-Brass and Rubber | |
| 13 | 23.6x2.65G GB/T3452.1 | O-ring | 4 | EPDM | |
| 12 | A8012.3 | Adapter | 2 | Engineering Thermoplastic | |
| 11 | A8011.4 | Thrust Ring | 1 | Engineering Thermoplastic | |
| 10 | E80120D | Feed/Conc. Part | 2 | Super Duplex Stainless Steel | |
| 09 | A8009.1 | Retaining Ring | 4 | 316SS | |
| 08 | 47.5x3.55G GB/T3452.1 | O-ring | 4 | EPDM | |
| 07 | A8007 | Permeate Part Locknut | 2 | Engineering Thermoplastic | |
| 06 | A8006 | Plug | 1 | Engineering Thermoplastic | |
| 05 | 36.5x3.55G GB/T3452.1 | O-ring | 4 | EPDM | |
| 04 | 190x5.3G GB/T3452.1 | O-ring | 2 | EPDM | |
| 03 | A8003.1 | Parted Sealing Plate | 2 | Engineering Thermoplastic | |
| 02 | A8002.6 | Bearing Plate | 2 | Aluminium Alloy-Hard anodized | |
| 01 | E8004.1-8 | Pressure Shell | 1 | FRP-316SS Embedded ring wound in place | |



- 1 DESIGN PRESSURE 600PSI(4.1MPa).
- 2 DESIGN TEMPERATURE 150°F(66°C).
- 3 MIN ALLOWABLE TEMPERATURE 20°F(-7°C).
- 4 WORKING MEDIUM,SEA WATER OR BRACKISHWATER,pH RANGE 3-11.
- 5 DIMENSIONS IN MM(INCHES APPROX).
- 6 INTERNAL PERMEATE PRESSURE NOT TO EXCEED 125PSI(0.88Mpa).
- 7 ITEM 11 CONCENTRATE SIDE ONLY.
- 8 ITEM 23 FEED SIDE ONLY.
- 9 PLEASE OPERATE IN ACCORDANCE WITH USER MANUAL.
- 10 FOR REFERENCE ONLY,NOT FOR CONSTRUCTION UNLESS CERTIFIED.
- 11 SPARE PARTS FORM JUST FOR REFERENCE,SPECIFIC FORM OF THE SPARE PART DRAWING PREVAIL;SUBJECT TO CHANGE WITHOUT NOTICE.
- 12 ALL PARTS CAN BE RECYCLED EXCEPT FRP SHELL.

| Shell length code | Shell number | L MM/IN | S Span MM/IN | Approx assembly weight KG/LB |
|-------------------|--------------|------------|--------------------|------------------------------------|
| 1 | E8004.1 | 1534/60.4 | 500/19.7 | 44/99 |
| 2 | E8004.2 | 2550/100.4 | 1455/57.3 | 57/128 |
| 3 | E8004.3 | 3566/140.4 | 2064/81.3 | 70/158 |
| 4 | E8004.4 | 4582/180.4 | 1600/63x2 | 83/187 |
| 5 | E8004.5 | 5598/220.4 | 2000/78.7x2 | 96/216 |
| 6 | E8004.6 | 6614/260.4 | 2358/92.8x2 | 109/245 |
| 7 | E8004.7 | 7630/300.4 | 2865/112.8x2 | 122/275 |
| 8 | E8004.8 | 8646/340.4 | 3373/132.8x2 | 135/304 |

ROPV

| | | |
|----------|--|----------------------------|
| DESIGN | Harbin ROPV Industry Development Center | |
| REVIEW | MODEL | R8040B600E PRESSURE VESSEL |
| APPROVAL | DRG | REV |
| | R8040B600E-00 | 10.2.3 |