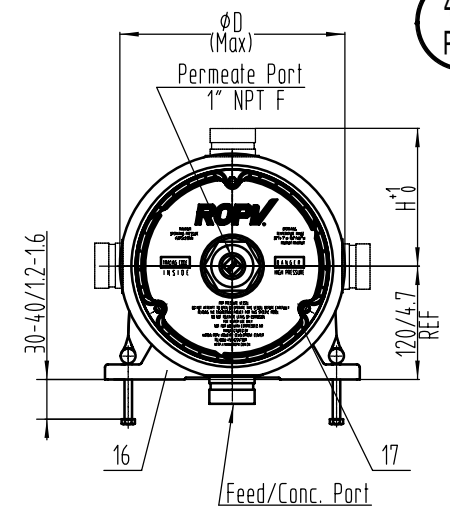
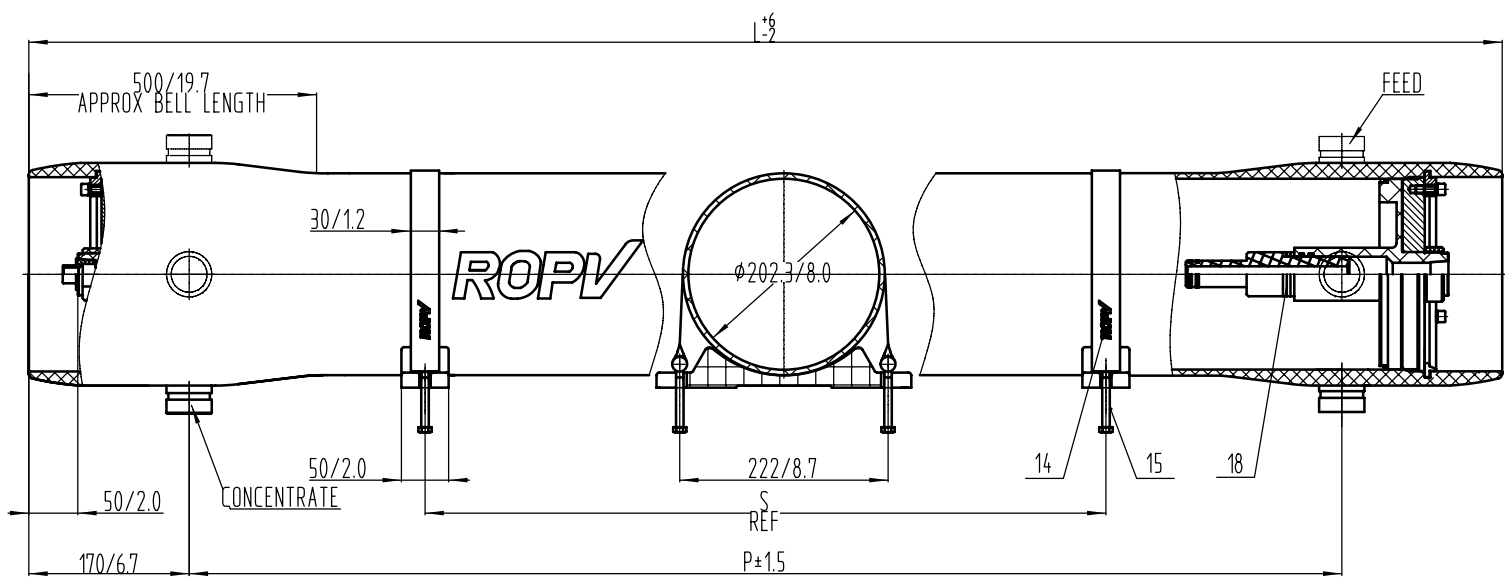


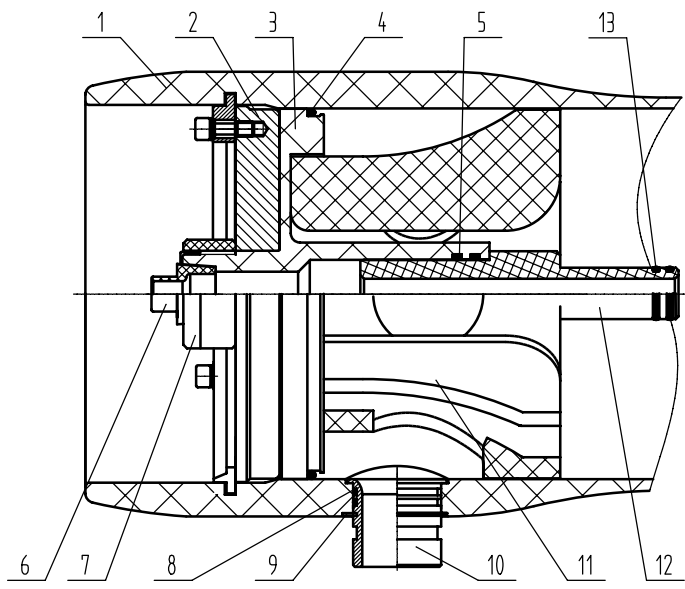
450  
PSI



- 1 DESIGN PRESSURE 450PSI(3.1MPa).
- 2 DESIGN TEMPERATURE 150°F(66°C).
- 3 MIN ALLOWABLE TEMPERATURE 20°F(-7°C).
- 4 WORKING MEDIUM, WATER 3-11.
- 5 DIMENSIONS IN MM(INCHES APPROX).
- 6 INTERNAL PERMEATE PRESSURE NOT TO EXCEED 125PSI(0.88Mpa).
- 7 THE QUANTITY OF ITEM NO.8 9 AND 10,DEPEND ON THE FEED/CONC. PORTS CONFIGURATION.
- 8 ITEM 11 CONCENTRATE SIDE ONLY.
- 9 ITEM 18 FEED SIDE ONLY.
- 10 PLEASE OPERATE IN ACCORDANCE WITH USER MANUAL.
- 11 FOR REFERENCE ONLY,NOT FOR CONSTRUCTION UNLESS CERTIFIED.
- 12 SPARE PARTS FORM JUST FOR REFERENCE,SPECIFIC FORM OF THE SPARE PART DRAWING PREVAIL,SUBJECT TO CHANGE WITHOUT NOTICE.
- 13 ALL PARTS CAN BE RECYCLED EXCEPT FRP SHELL.

F/C.Port	D(MM/IN)	H(MM/IN)
1.5"(DN40)	248/9.7	148/5.8
2"(DN50)	252/9.9	151/5.9
2.5"(DN65)	262/10.3	156/6.1

REF	PART NUMBER	DESCRIPTION	QTY	MATERIAL	NOTE
18	A8023.1	Shim	0-3	Engineering Thermoplastic	
17	A8018.4	Locking Kit Segment Assy	6	304SS,including Screw and Pad	
16	A8016	Saddle	2-3	Rubber	
15	GB/T5782 M8x90	Strap Screw	4-6	304SS	
14	A8014.2	Strap	2-3	304SS-Brass and Rubber	
13	23.6x2.65G GB/T3452.1	O-ring	4	EPDM	
12	A8012.1	Adapter	2	Engineering Thermoplastic	
11	A8011.1	Thrust Ring	1	Engineering Thermoplastic	
10	S8045FDZ) S8045E(DZ) S8045D(DZ)	2.5"Feed/Conc. Port 2"Feed/Conc. Port 1.5"Feed/Conc. Port	2-4	316LSS	OPT
09	A8009.1-3	Retaining Ring	2-4	304SS	
08	69(65)x3.55G GB/T3452.1 54.5x2.65G GB/T3452.1 42.5x2.65G GB/T3452.1	O-ring	4-8	EPDM	
07	A8007	Permeate Port Locknut	2	Engineering Thermoplastic	
06	A8006	Plug	1	Engineering Thermoplastic	
05	36.5x3.55G GB/T3452.1	O-ring	4	EPDM	
04	190x5.3G GB/T3452.1	O-ring	2	EPDM	
03	A8003.4	Sealing Plate	2	Engineering Thermoplastic.304SS Ring	
02	A8002.2	Bearing Plate	2	Aluminium Alloy-Hard anodized	
01	S8013.1-8	Pressure Shell	1	FRP	



Shell length code	Shell number	L L.O.A MM/IN	P Port to port MM/IN	S Span MM/IN	Approx assembly weight (1.5"Feed/Conc. Port) KG/LB
1	S8013.1	1534/60.4	1194/47	500/19.7	37/82
2	S8013.2	2550/100.4	2210/87	1455/57.3	47/104
3	S8013.3	3566/140.4	3226/127	2064/81.3	57/126
4	S8013.4	4582/180.4	4242/167	1600/63x2	67/148
5	S8013.5	5598/220.4	5258/207	2000/78.7x2	77/170
6	S8013.6	6614/260.4	6274/247	2358/92.8x2	87/192
7	S8013.7	7630/300.4	7290/287	2865/112.8x2	97/214
8	S8013.8	8646/340.4	8306/327	3373/132.8x2	107/236

<b>ROPV</b>	DESIGN	<b>Harbin ROPV Industry Development Center</b>	
	REVIEW	MODEL	R8040B450S PRESSURE VESSEL
	APPROVAL	DRG	R8040B450S-00
		REV	10.2.3