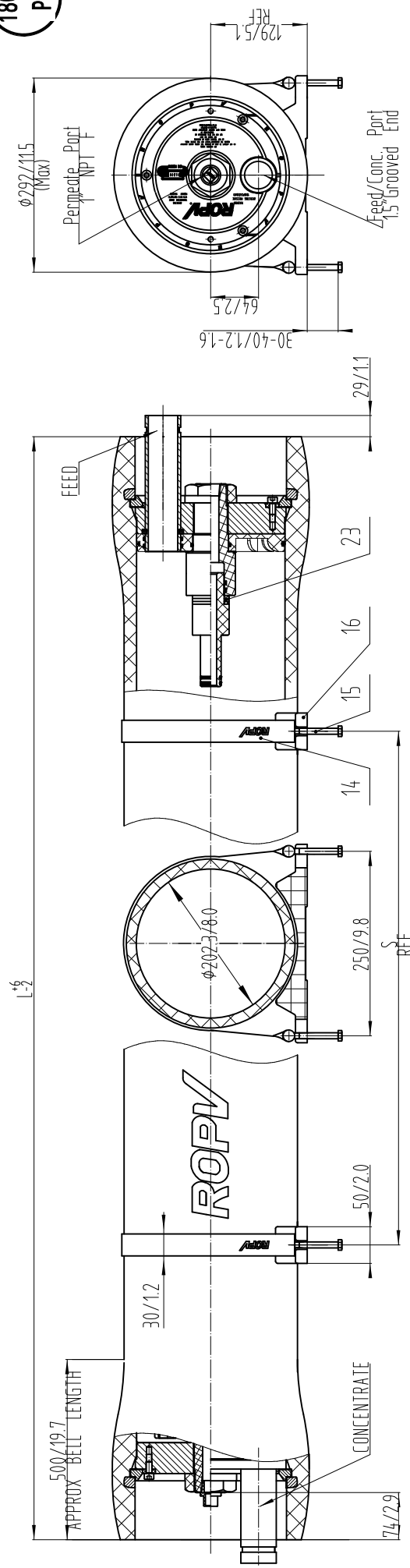
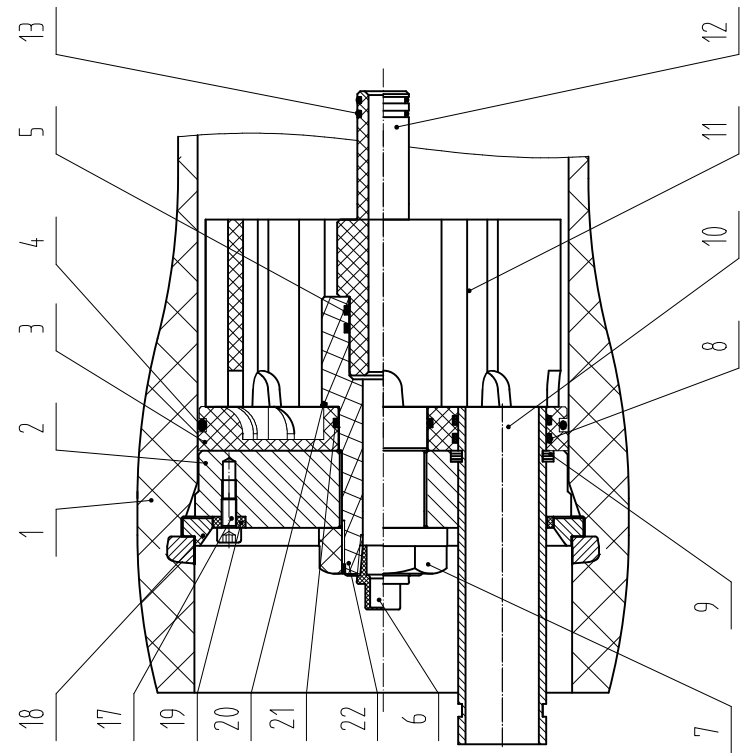


1800
PSI



- 1 DESIGN PRESSURE 1800PSI(12.42MPa).
- 2 DESIGN TEMPERATURE 150°F(65°C).
- 3 MIN ALLOWABLE TEMPERATURE 14°F(-10°C).
- 4 WORKING MEDIUM,SEA WATER OR BRACKISHWATER,PH RANGE 3-11.
- 5 DIMENSIONS IN MM(INCHES APPROX).
- 6 INTERNAL PERMEATE PRESSURE NOT TO EXCEED 125PSI(0.88Mpa).
- 7 ITEM 11 CONCENTRATE SIDE ONLY.
- 8 ITEM 23 FEED SIDE ONLY.
- 9 PLEASE OPERATE IN ACCORDANCE WITH USER MANUAL.
- 10 FOR REFERENCE ONLY,NOT FOR CONSTRUCTION UNLESS CERTIFIED.
- 11 SPARE PARTS FORM JUST FOR REFERENCE,SPECIFIC FORM OF THE SPARE PART DRAWING PREVAIL;SUBJECT TO CHANGE WITHOUT NOTICE.
- 12 ALL PARTS CAN BE RECYCLED EXCEPT FRP SHELL.



REF.	PART NUMBER	DESCRIPTION	QTY.	MATERIAL	NOTE
23	A8023.1 A8023.1C	Skim	0-4	Engineering Thermoplastic	
22	A8022.3	Permeate Part	2	Engineering Thermoplastic. 316SS Ring	
21	47.5x3.556 GB/T3452.1	O-ring	2	EPDM	
20	58x2.656 GB/T3452.1	O-ring	2	EPDM	
19	A8020	Securing Ring	2	Engineering Thermoplastic	
18	A8018.2	Locking Kit Segment	2 Set	316SS	
17	GB/T770.1 M8x20	Locking Segment Screw	6	316SS	
16	A8016	Saddle	2-3	Rubber	
15	GB/T 5780 M8x90	Strap Screw	4-6	316SS	
14	A8014.3-B	Strap	2-3	316SS-Brass and Rubber	
13	23.6x2.656 GB/T3452.1	O-ring	4	EPDM	
12	A8012.3	Adapter	2	Engineering Thermoplastic	
11	A8011.4	Thrust Ring	1	Engineering Thermoplastic	
10	E801800	Feed/Conc. Part	2	Super Duplex Stainless Steel	S
09	A8009.1	Retaining Ring	4	316SS	
08	47.5x3.556 GB/T3452.1	O-ring	4	EPDM	
07	A8007	Permeate Part Lockout	2	Engineering Thermoplastic	
06	A8006	Plug	1	Engineering Thermoplastic	
05	36.5x3.556 GB/T3452.1	O-ring	4	EPDM	
04	190x5.35 GB/T3452.1	O-ring	2	EPDM	
03	A8003.1A	Parted Sealing Plate	2	Engineering Thermoplastic	S
02	A8002.9T	Bearing Plate	2	Aluminum Alloy-Hard anodized	S
01	E8006.1T-8T	Pressure Shell	1	FRP-316SS Embedded ring wound in place	S

Shell length code	Shell number	L L.O.A MM/IN	S Span MM/IN	Approx assembly weight KG/LB
1	E8006.1T	1550/61	240/9.4	83/183
2	E8006.2T	2566/101	1256/49.4	107/236
3	E8006.3T	3582/141	2064/81.3	131/289
4	E8006.4T	4598/181	1600/63x2	155/342
5	E8006.5T	5614/221	2000/78.7x2	179/395
6	E8006.6T	6630/261	2358/92.8x2	203/448
7	E8006.7T	7646/301	2865/112.8x2	227/500
8	E8006.8T	8662/341	3373/132.8x2	251/553

DESIGN		Harbin ROPV Industrial Co.,Ltd.	
REVIEW	MODEL	REV	REV
	R8040B1800E		10.2.3
APPROVAL		PRESSURE VESSEL	
	DWG		R8040B1800E-00

ROPV