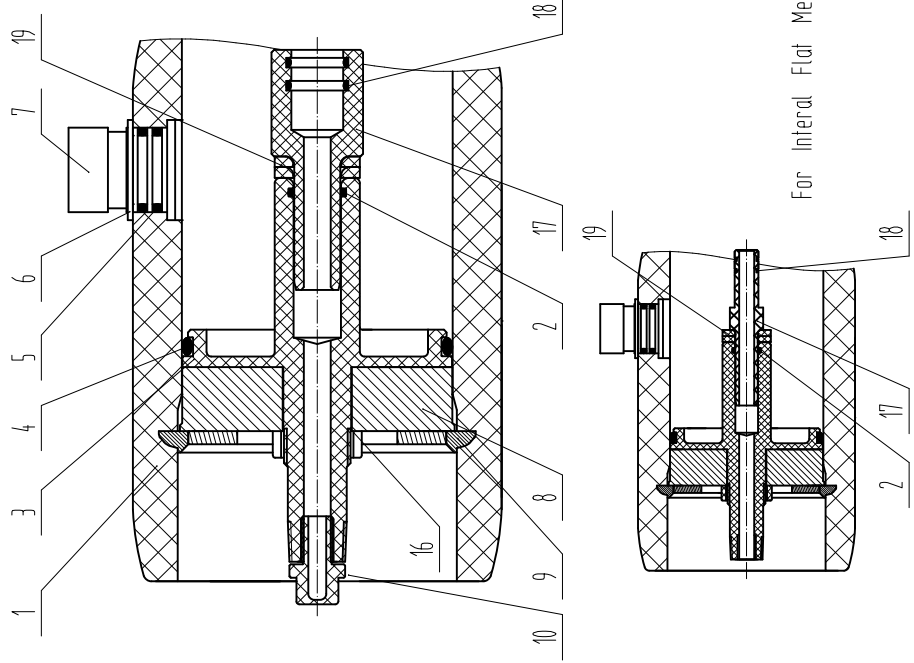
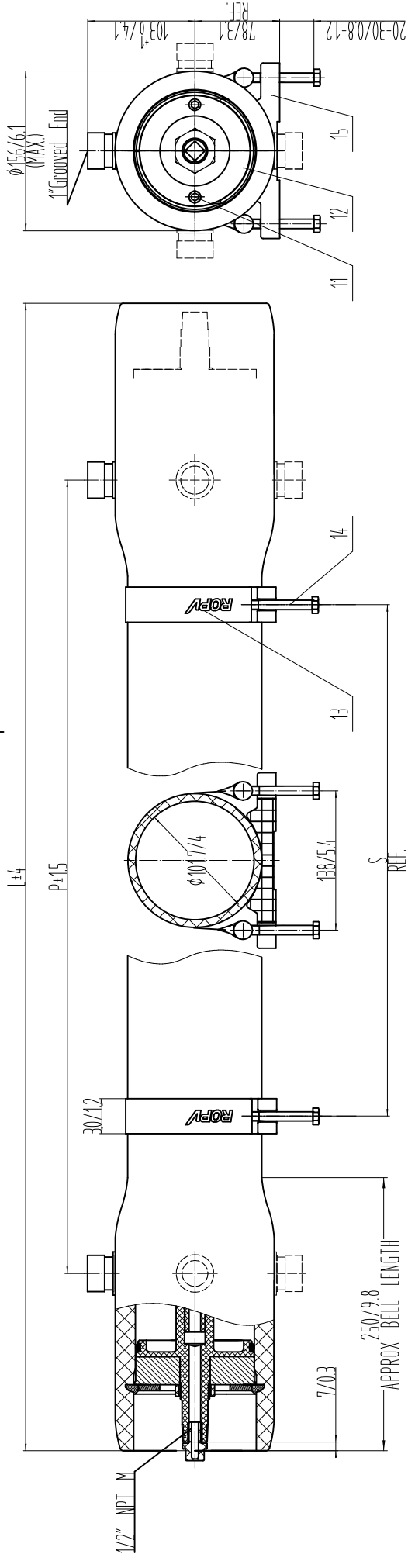


1800
PSI



- 1 Design pressure 1800PSI(12.42MPa)
- 2 Design temperature 150°F(66°C)
- 3 Min. allowable temperature 14°F(-10°C)
- 4 Working medium, sea water or brackishwater
- 5 Internal permeate pressure not to exceed 125psi(0.88Mpa)
- 6 Please operate according to directions
- 7 Subject to change without notice, please sign in the website of the company to inquire(www.ropv.com.cn).
- 8 Others can be use recycle except shell need specialized callback

Ref.	Part Number	Description	Qty.	Material	Note
19	A4090.1	Internal Adapter			
	A4090	Engineering Thermoplastic	2	Engineering Thermoplastic	
	125x186 GB/T3452.1	O-Ring	4	EPDM	
	19x2.65G GB/T3452.1	O-Ring	2	Engineering Thermoplastic	
	4021.1	Adapter	2	Engineering Thermoplastic	
	4021	Adapter	2	Engineering Thermoplastic	
	405.1	Locknut	2	Engineering Thermoplastic	
	4010	Saddle	2-3	Rubber	
	GB/T5782 M6x60	Strip_Screw	4-6	316SS	
	4008.3	Strip	2-3	316SS-Brass and Rubber	S
	A4052	Securing Ring	2	316SS	S
	GB/T770.1 M6x15	Securing Ring_Screw	4	316SS	
	4013	Plug	1	Engineering Thermoplastic	M12
	A4024	Locking Kit Segment	2 set	316SS	
	A4019	Bearing Plate	2	Aluminum Alloy-Hard anodized	
	40x28	Feed/Conc. Port	2-4	Super Duplex Stainless Steel	S
	4005	Retaining Ring	2-4	316SS	
	28x2.65G GB/T3452.1	O-Ring	4-8	EPDM	
	90x5.3G GB/T3452.1	O-Ring	2	EPDM	
	A4068.4	Sealing Plate	2	Engineering Thermoplastic	For Internal Flat Membrane
	A4068.3	O-Ring	2	EPDM	
	14x2.65G GB/T3452.1	O-Ring	2	EPDM	
	17x2.65G GB/T3452.1	O-Ring	2	EPDM	
	A4063-39	Pressure Shell	1	FRP	OPT for Blue or White S
		Description	Qty.	Material	Note

Shell length code	Shell number	L L.O.A MM/IN	P Port to port MM/IN	S Span MM/IN	Approx assembly weight KG/LB
1	A4016.33	1354/53.3	1036/40.8	600/23.6	23/51
2	A4016.34	2370/93.3	2052/80.8	1200/47.2	34/75
3	A4016.35	3386/133.3	3068/120.8	2200/86.6	45/99
4	A4016.36	4402/173.3	4084/160.8	1600/63x2	56/123
5	A4016.37	5418/213.3	5100/200.8	2300/90.6x2	67/148
6	A4016.38	6434/253.3	6116/240.8	2700/106.3x2	78/172
7	A4016.39	7450/293.3	7132/280.8	3200/126x2	89/197

ROPV		DESIGN	Haerbin ROPV Industry Development Center	
		REVIEW		
		APPROVAL		
		MODEL	R4040C1800S PRESSURE VESSEL	
		DWG	R4040C1800S-00	
		REV.	12.4	